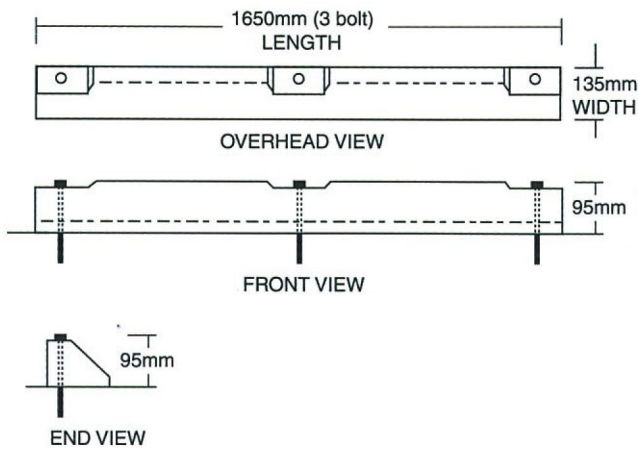


WHEEL STOP RECYCLED PLASTIC



WEIGHT

10 kg

LENGTH OVERALL

1650mm

COLOUR

- Grey
- Yellow
- Blue
- Black

FASTENINGS

(If required, three per wheel stop)

- Concrete
- Bitumen

Durable, lightweight Replas wheel stops are made from 100% recycled plastic, and available in grey, yellow, blue and black.

Replas wheel stops are easily handled by one person. Suitable for installation in any hard surface parking area, they prevent contact with walls, garden beds, pathways and other vehicles. Fixings are available for simple installation onto both concrete and bitumen surfaces.

High-visibility reflectors are an optional extra, recessed to sit flush with the plastic surface. The product can also be routed with corporate and club official designations, or other messages to indicate reserved or specific use parking.

Replas wheel stops conform to AS/NZS 2890.1:2004 Parking Facilities Part One – Off Street Parking.

